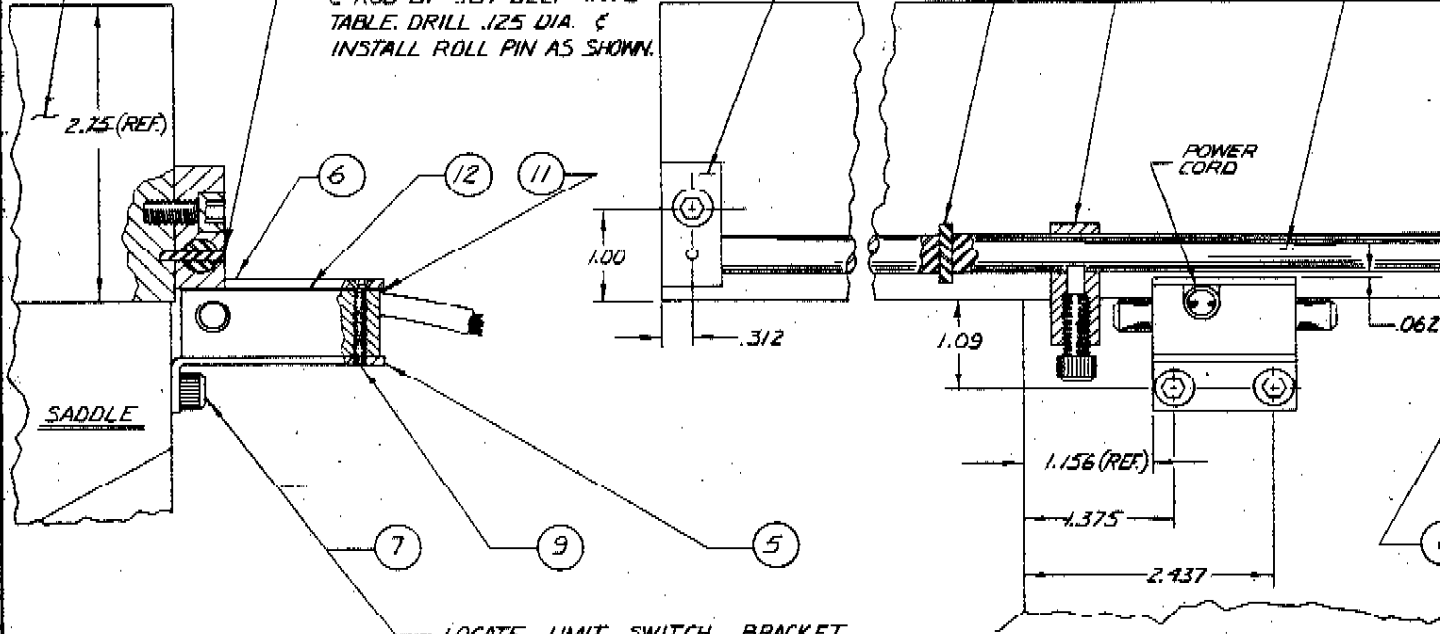


D
C
B
A

TABLE (REF)

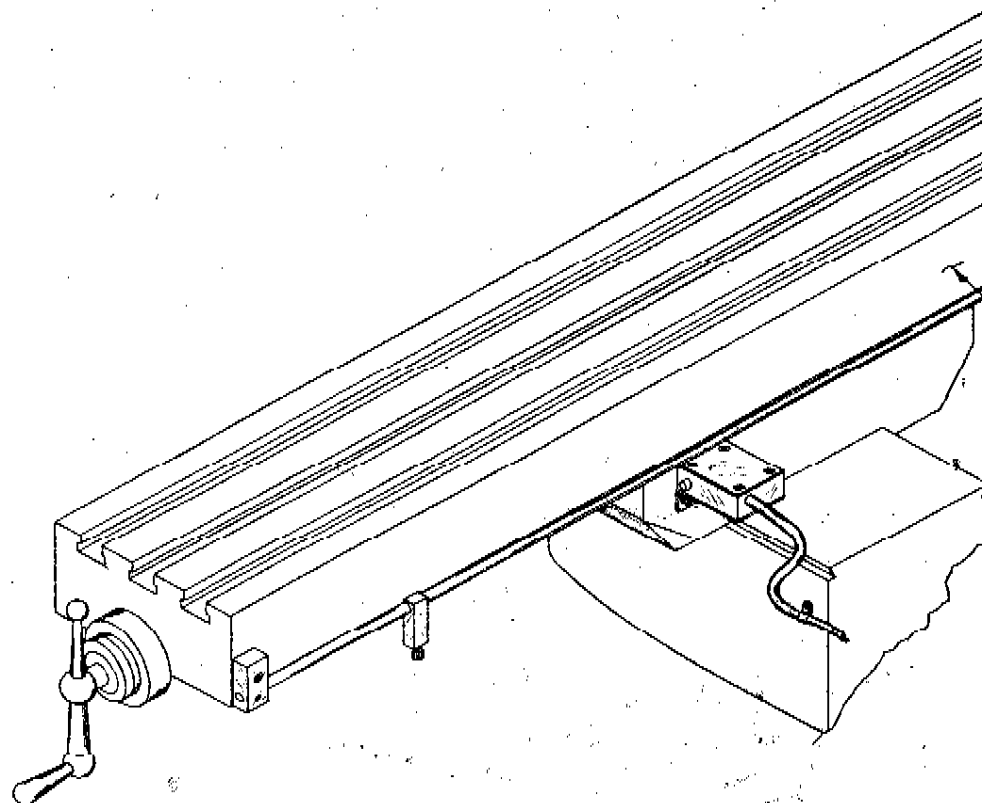
USE ONLY WHEN MILL HAS OPTICAL MEASURING UNIT

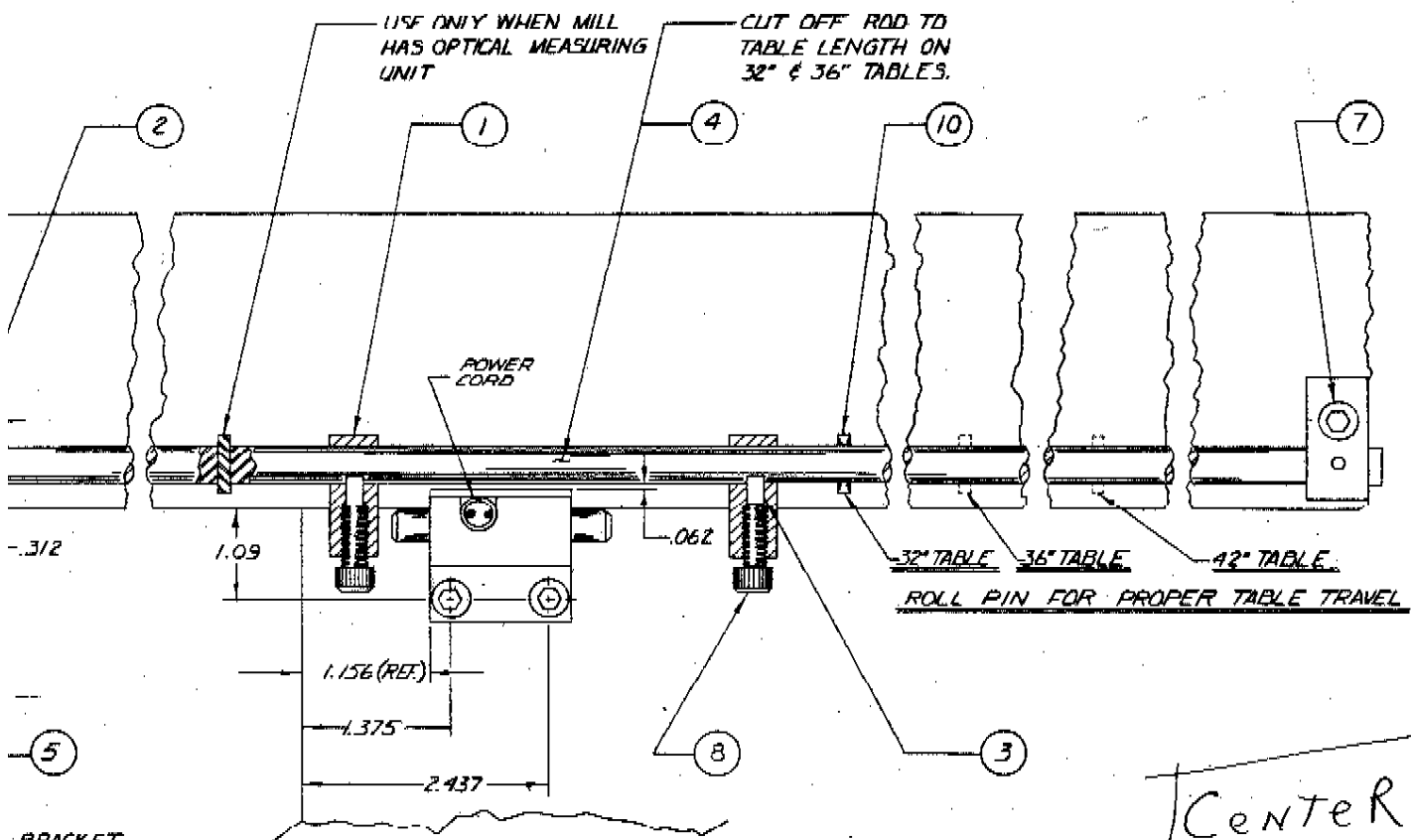
AFTER ALL PARTS ARE INSTALLED PROPERLY, DRILL .093 DIA THRU BRACKET & ROD BY .187 DEEP INTO TABLE. DRILL .125 DIA. & INSTALL ROLL PIN AS SHOWN.



LOCATE LIMIT SWITCH BRACKET AS SHOWN TAP 1/4-20x7/16 MIN. THD. DEPTH. 2 PLC'S.

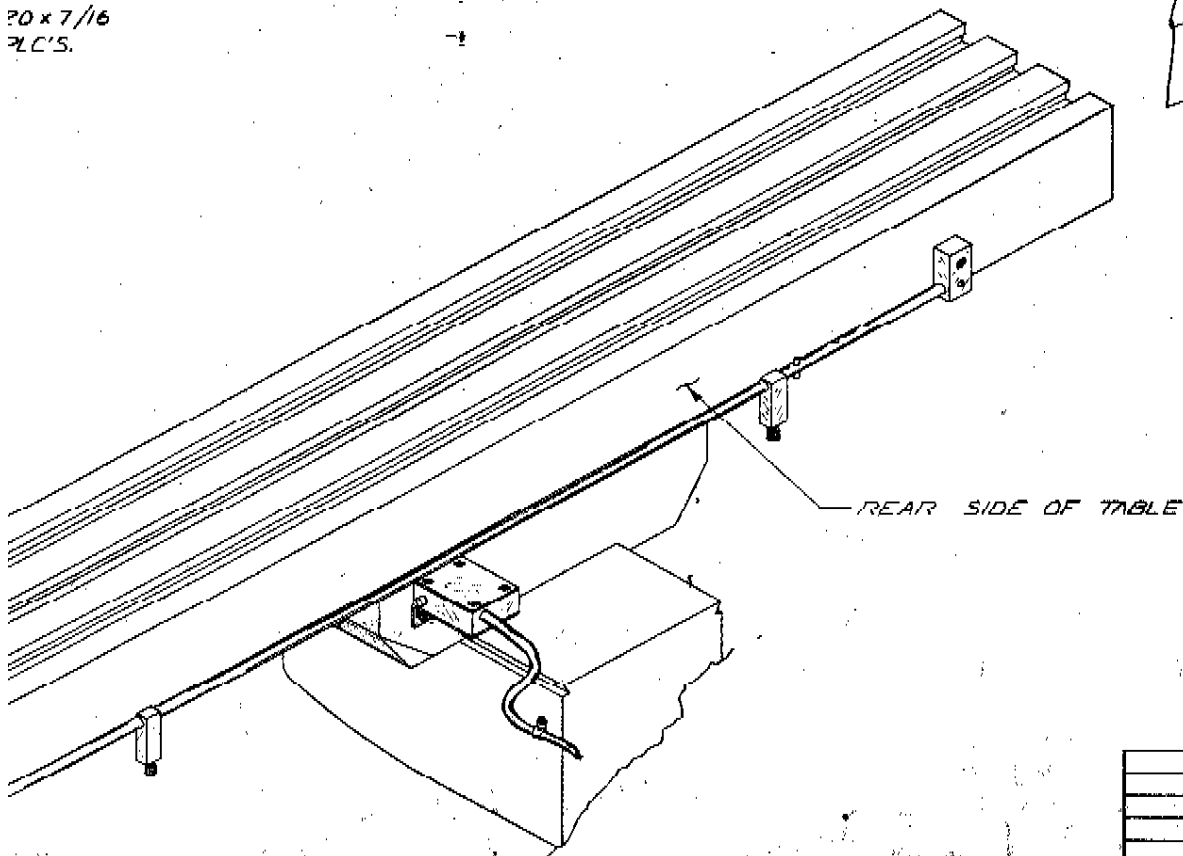
Le ST
D-0536





BRACKET
20 x 7/16
P.L.C.'S.

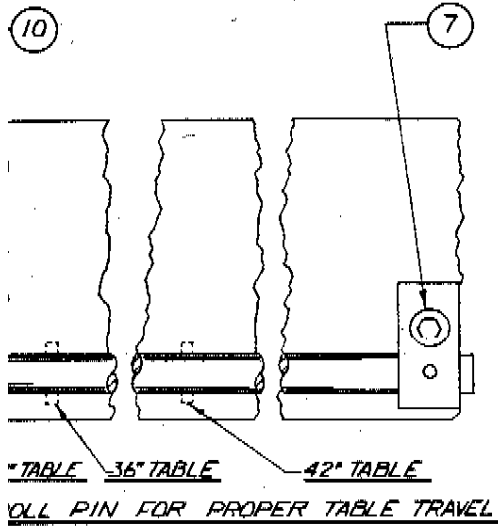
Center
D-0536



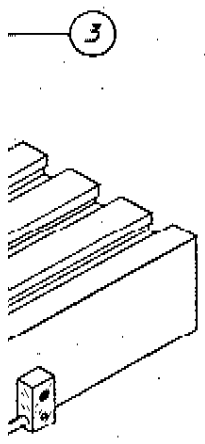
| | |
|---|----|
| 1 | 12 |
| 1 | 11 |
| 4 | 10 |
| 4 | 9 |
| 2 | 8 |
| 4 | 7 |
| 1 | 6 |
| 1 | 5 |
| 1 | 4 |
| 2 | 3 |
| 2 | 2 |
| 2 | 1 |

| QTY REQD | CODE IDENT |
|---|--------------|
| UNLESS OTHERWISE SPECIFIED DIMENSIONS ARE IN INCH TOLERANCES ARE: | |
| FRACTIONS | DECIMALS |
| ± | XX ± .01 |
| | XXX ± .001 |
| MATERIAL | |
| FINISH | |
| NEXT ASSY | USED ON |
| APPLICATION | DO NOT SCALE |

TO
ON
S.



10" TABLE 36" TABLE 42" TABLE
ROLL PIN FOR PROPER TABLE TRAVEL



3 SIDE OF TABLE

Right
D-0536

| REVISIONS | | | | |
|-----------|-----|-------------|------|----------|
| ZONE | LTR | DESCRIPTION | DATE | APPROVED |
| | | | | |

| | | | |
|---|----|--------|----------------------------------|
| 1 | 1P | 00575 | GASKET - LIMIT SWITCH (A 266) |
| 1 | 11 | A-4712 | ASSY - LIMIT SWITCH |
| 4 | 10 | 00564 | ROLL PIN 1/8 x 5/8 |
| 4 | 9 | 01095 | 4-40 x 1 PHIL. FLT. HD. SC. |
| 2 | 8 | 00676 | 1/4 - 20 x 5/8 SOC. HD. CAP. SC. |
| 4 | 7 | 00675 | 1/4 - 20 x 1/2 SOC. HD. CAP. SC. |
| 1 | 6 | A-1171 | COVER - LIMIT SWITCH |
| 1 | 5 | A-0541 | BRACKET - LIMIT SWITCH |
| 1 | 4 | A-0538 | KUJ - ADJUSTABLE STOP |
| 2 | 3 | A-0540 | SHOE - ADJUSTABLE STOP |
| 2 | 2 | A-0537 | BRACKET - LIMIT STOP ROD |
| 2 | 1 | A-0539 | STOP - ADJUSTABLE |

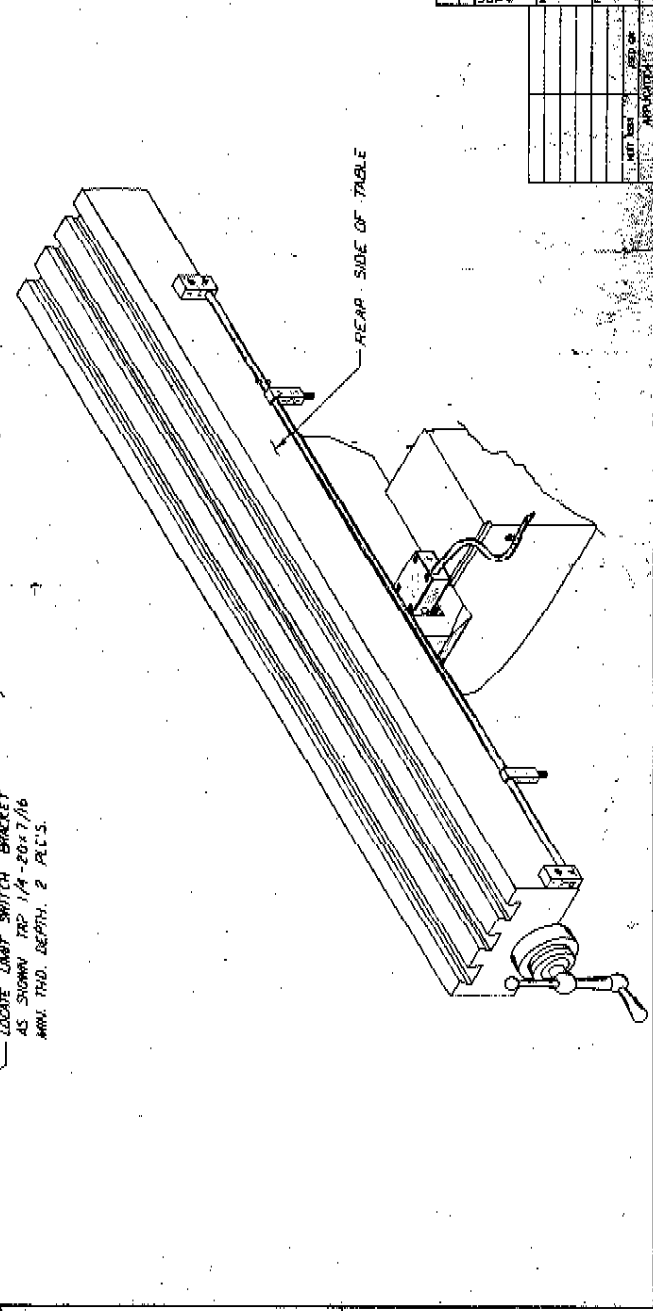
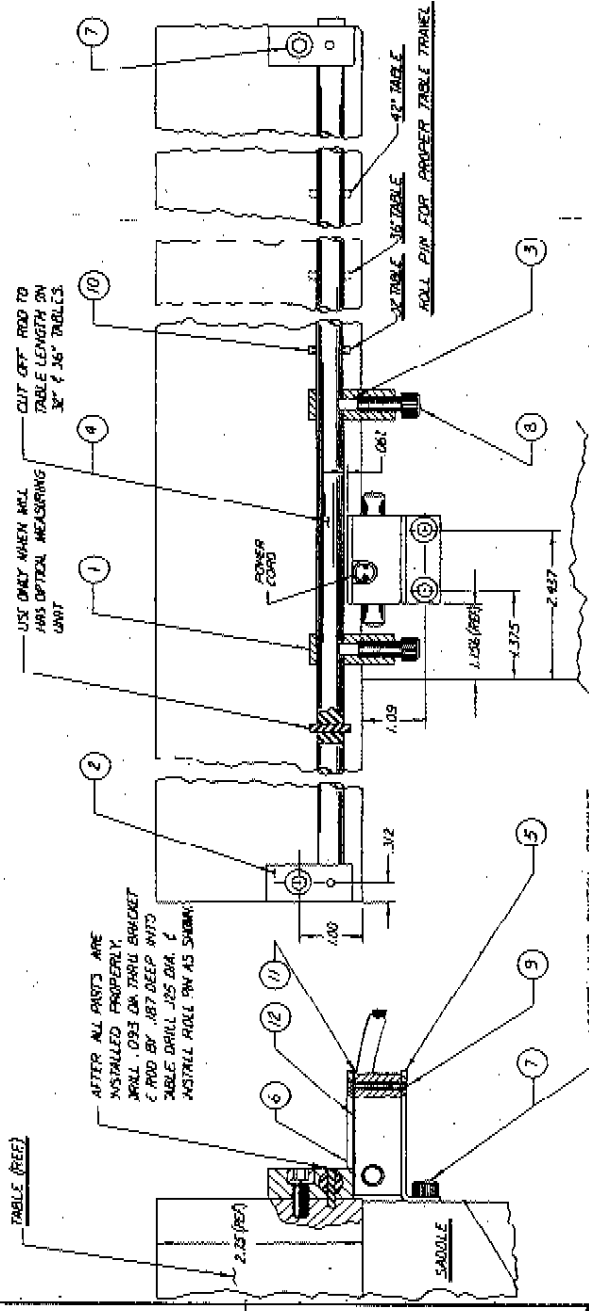
| QTY REQD | CODE IDENT | PART OR IDENTIFYING NO. | NOMENCLATURE OR DESCRIPTION |
|---|------------|-------------------------|-----------------------------|
| PARTS LIST | | | |
| UNLESS OTHERWISE SPECIFIED DIMENSIONS ARE IN INCHES TOLERANCES ARE: FRACTIONS DECIMALS ANGLES ± 1/16 ± .01 ± 1/2 ± 1/32 ± .005 ± 1/4 | | CONTRACT NO. | |
| MATERIAL | | APPROVALS | DATE |
| FINISH | | DRAWN G. AMADOR | 10-2-81 |
| NOT ASSY USED ON | | CHECKED J. DUBOIS | 11/11/81 |
| APPLICATION | | SIZE D | CODE IDENT NO. 0800-10076 |
| DO NOT SCALE DRAWING | | DRAWING NO. D-0536 | SCALE 1:1 |

BERVO PRODUCTS COMPANY
546 WEST WOODBURY ROAD, ALTADENA, CALIFORNIA 91701

INSTALLATION STOP, MEASURING ATTACH * 660

D-0536

| | | | | |
|------|---------|-------------|------|----------|
| DATE | REVISED | DESCRIPTION | DATE | APPROVED |
| | | | | |



| | | | |
|---|----|--------|----------------------------------|
| 1 | 12 | 00575 | GASKET - LIMIT SWITCH (A 266) |
| 1 | 11 | A-472 | ASSY - LIMIT SWITCH |
| 4 | 10 | 00544 | ROLL PIN 1/8 x 5/8 |
| 4 | 9 | 00555 | 4-40 x 1 PHIL. FL. HD. SC |
| 2 | 8 | 00676 | 1/4 - 20 x 5/8 SOC. HD. CAP. SC. |
| 4 | 7 | 00675 | 1/4 - 20 x 1/2 SOC. HD. CAP. SC. |
| 1 | 6 | A-177 | CORNER - LIMIT SWITCH |
| 1 | 5 | A-0541 | BRACKET - LIMIT SWITCH |
| 1 | 4 | A-0538 | ROD - ADJUSTABLE STOP |
| 2 | 3 | A-0240 | SHOE - ADJUSTABLE STOP |
| 2 | 2 | A-0537 | BRACKET - LIMIT STOP ROD |
| 2 | 1 | A-0539 | STOP - ADJUSTABLE |

| | | | | |
|------|---------|-------------|------|----------|
| DATE | REVISED | DESCRIPTION | DATE | APPROVED |
| | | | | |

APPROVALS: _____
 CHECKED: _____
 DRAWN: _____
 DATE: _____

SERIAL NO. _____
 PART NO. _____
 REV. NO. _____
 DATE OF APPROVAL _____

CONTINUED ON DRAWING NO. _____
 SHEET NO. _____ OF _____
 TITLE: INSTALLATION STOP MEASURING ATTACH # 660
 SCALE: 1:1
 D-0536